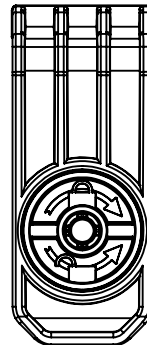
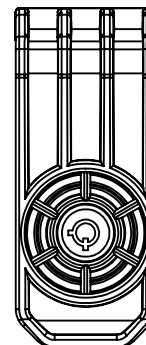


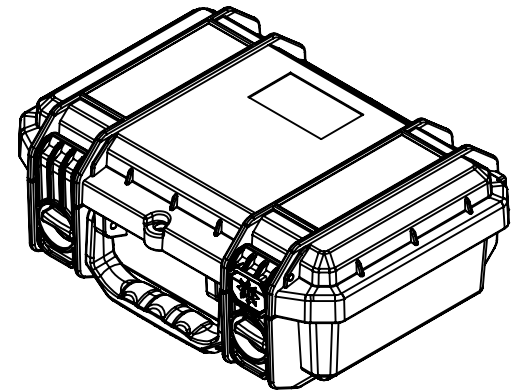
PLL
PLASTIC LATCH
WITH LOCK



MLL
METAL LATCH
WITH LOCK



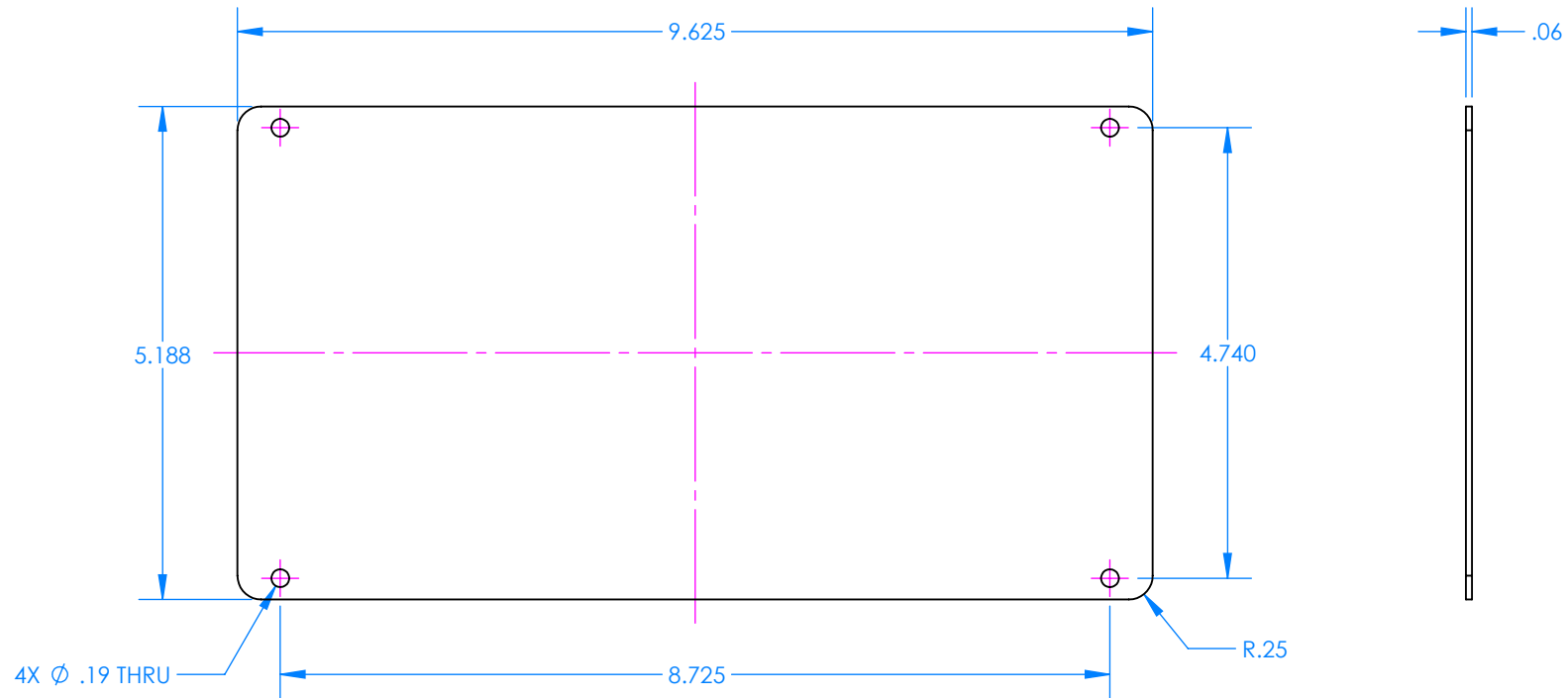
OPTIONAL LATCHES MUST BE SPECIFIED AT TIME OF ORDER. SEE NOTE 2



NOTES:

- 1) Maximum usable inside dimensions are: 10.58" X 6.13" X 3.95"
- 2) Plastic Latch Lock p/n 7002PL
Metal Latch Lock p/n 7002ML

7251 Bottom Panel for 230



7252 Top Panel for 230

